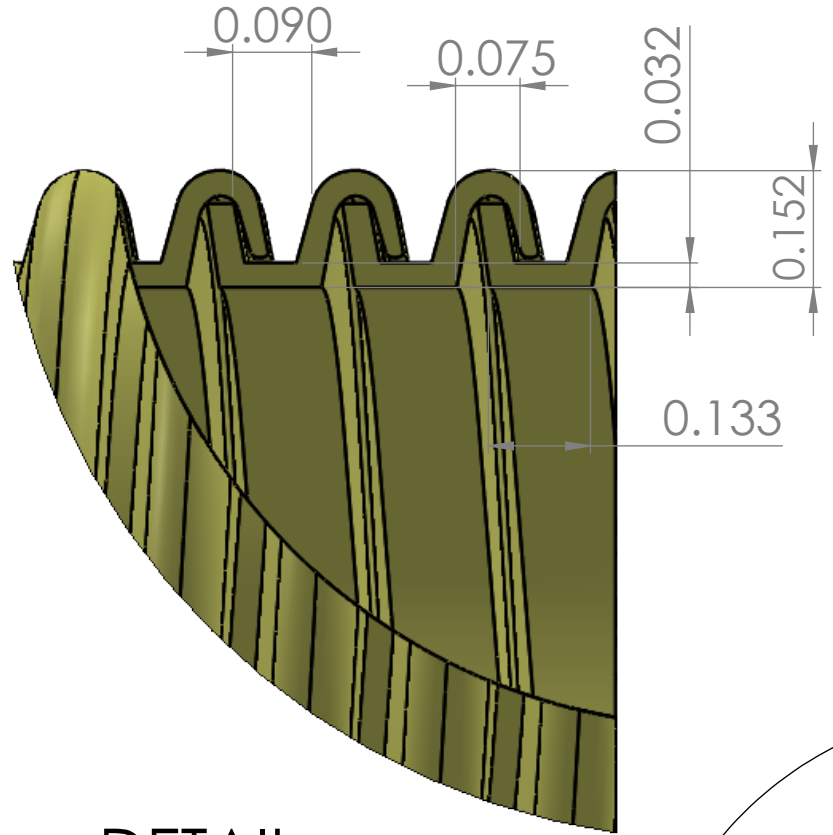


4

3

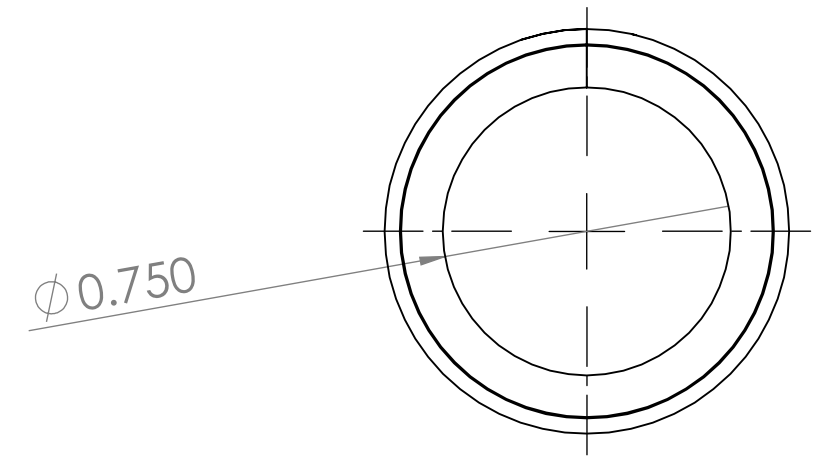
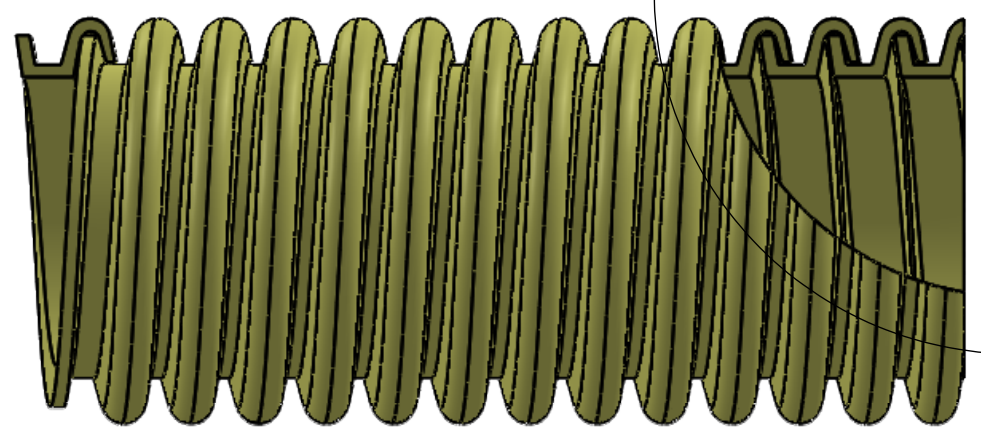
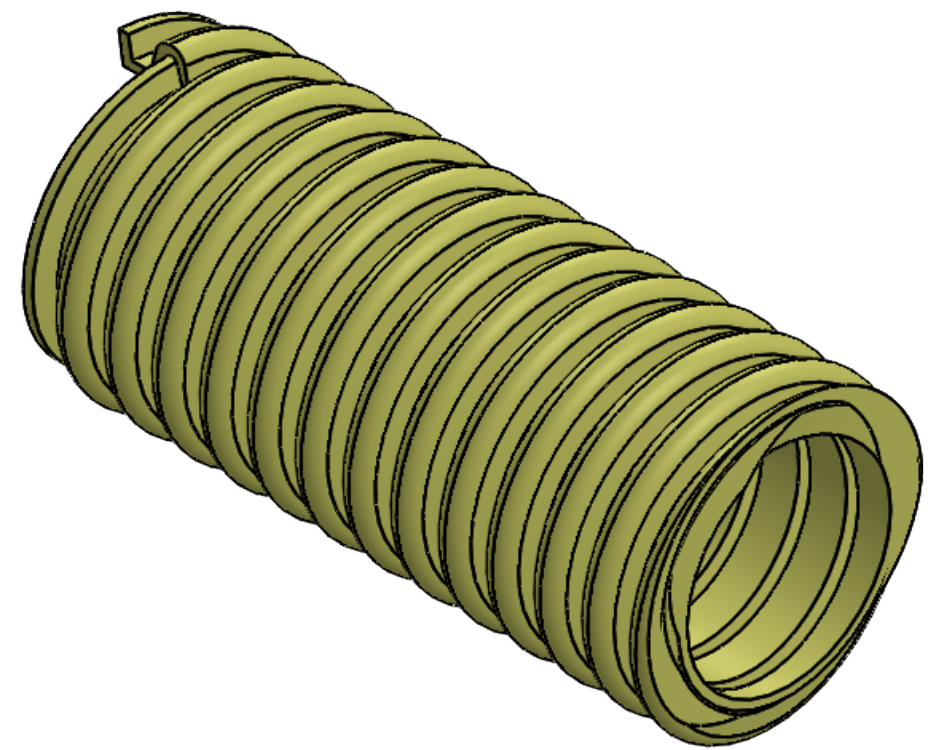
2

1



DETAIL A

A



PROPRIETARY AND CONFIDENTIAL
 THE INFORMATION CONTAINED IN THIS DRAWING IS THE SOLE PROPERTY OF AMFLEX PLASTICS. ANY REPRODUCTION IN PART OR AS A WHOLE WITHOUT THE WRITTEN PERMISSION OF AMFLEX PLASTICS IS PROHIBITED.

		UNLESS OTHERWISE SPECIFIED:		NAME	DATE	AMFLEX PLASTICS INC	
		DIMENSIONS ARE IN INCHES		DRAWN	ALEJO	2/27/18	TITLE:
		TOLERANCES:		CHECKED			PREMIER 3/4"
		FRACTIONAL \pm		ENG APPR.			
		ANGULAR: MACH \pm BEND \pm		MFG APPR.			
		TWO PLACE DECIMAL \pm		Q.A.			SIZE
		THREE PLACE DECIMAL \pm		COMMENTS:			DWG. NO.
		INTERPRET GEOMETRIC TOLERANCING PER:					REV
		MATERIAL					B
		FINISH					5PR075
NEXT ASSY	USED ON	APPLICATION		DO NOT SCALE DRAWING		WEIGHT:	
						SHEET 1 OF 1	

4

3

2

1